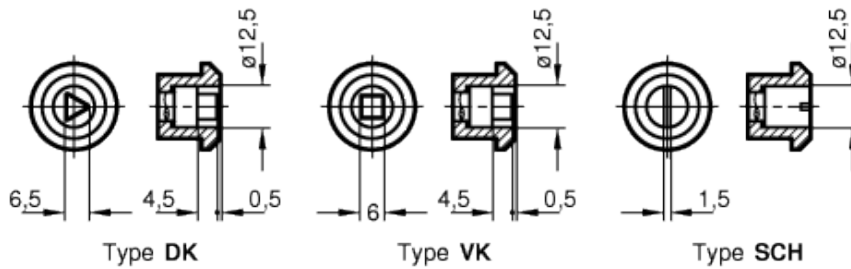
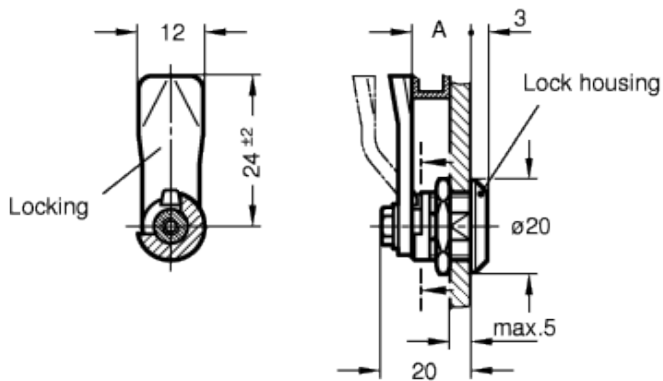


GN 115.6

Mini-Latches



INOX
Stainless Steel



technical informations
Lock housing
AISI 303 stainless steel.

Metal elements

AISI 304 stainless steel.

Standard versions available

- Type DK: with triangular spindle key.
- Type VK: with square spindle (A/F6).
- Type SCH: operation with slot.

Accessories on request

- Key GN 119.2.
- Protective caps GN 120.

Assembly instruction

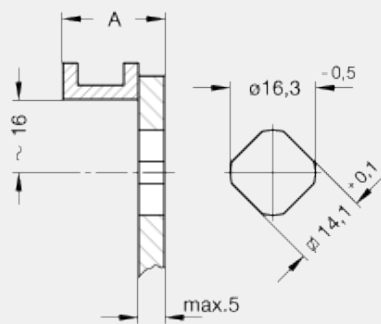
Stainless Steel-Mini-Latches GN 115.6 have smaller dimensions than latches GN 115.

They lock by a turning operation limited to 90° which moves the locking behind the door frame. The bevels of the locking ease the closing of the door.

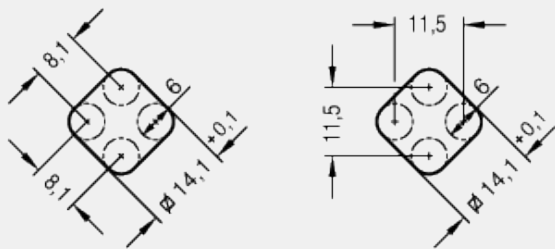
Latches with different cranks allow a latch distance A in the range from 8, 14 and 20 mm.

In their standard design, the latches have the same lock / the same key.

Mini-Latches GN 115.6 are supplied with loosely enclosed locking.



Mounting hole



Features and applications

Mini-Latches GN 115.6 have smaller dimensions than GN 115. They lend themselves ideally for small doors and flaps. In addition they are a low cost product. However they offer a straightforward locking action rather than a locking and clamping action.

The latch distance A of this mini-locks is made to suit 7.5, 13.5 and 19.5 mm.

Construction and assembly instructions

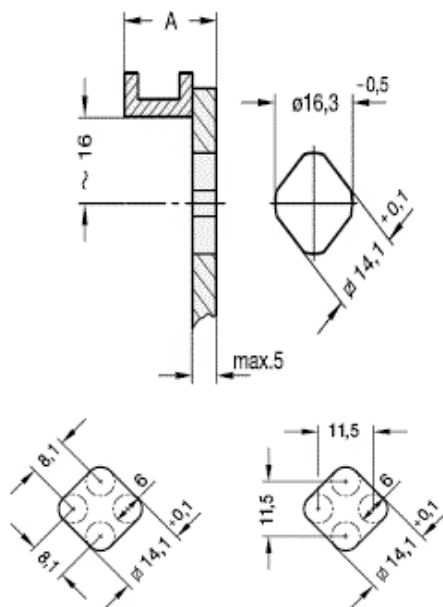
For installation, set a bore diameter in the door as shown in the outline drawing opposite.

Once assembled, the latch is pushed through the bore diameter from the front. The hexagon nut can then be pushed over the latch from the back and bolted in place.

The **installation bore diameter** in the door leaf is usually generated by punching or laser machining in series production.

For small series and steel sheets below 2 mm thickness, the GN 123 sheet metal punches are the tool of choice → page 964.

The installation bore diameter can also be set by drilling / milling as shown in the outline drawings opposite.



Standard Elements	Main dimensions	Weight
Description	A	g
GN 115.6-DK-7.5	7.5	24
GN 115.6-VK-7.5	7.5	25
GN 115.6-SCH-7.5	7.5	20
GN 115.6-DK-13.5	13.5	24
GN 115.6-VK-13.5	13.5	25
GN 115.6-SCH-13.5	13.5	20
GN 115.6-DK-19.5	19.5	24
GN 115.6-VK-19.5	19.5	25
GN 115.6-SCH-19.5	19.5	20



STANDARD MACHINE ELEMENTS WORLDWIDE